



FEATURES

- 1A and 1C Contact Forms Available
- 60 Amps Continuous Carrying Current
- Internal Diodes or Resistors Available
- Compatible with Socket 792



CONTACT RATINGS

Contact Form	1A SPST N.O. 1C SPDT
Contact Rating	1A 60A @ 14VDC, resistive 30A @ 28VDC, resistive 1C NO 60A @ 14VDC, resistive NC 40A @ 14VDC, resistive NO 30A @ 28VDC, resistive NC 20A @ 28VDC, resistive

CHARACTERISTICS

Insulation Resistance	100 MΩ min. at 500 VDC
Dielectric Strength	500 Vrms, 50 Hz, between contacts 500 Vrms, 50 Hz, between coil & contacts
Power Consumption	1.8W
Terminal Strength	8N quick connect, 4N PCB pins
Solderability	260°C 5 s ± 0.5 s
Operating Temperature	-40°C to 125°C
Storage Temperature	-40°C to 155°C
Shock Resistance	147 m/s ² 11 ms
Vibration Resistance	10-40Hz; 1.5mm double amplitude
Weight	47.0g

CONTACT DATA

Maximum Switching Power	1,120 W
Maximum Switching Voltage	75 VDC
Maximum Continuous Current	60 A
Material	AgSnO ₂
Initial Contact Resistance	100 mΩ max.
Service Life	Mechanical 1 x 10 ⁷ operations Electrical 1 x 10 ⁵ operations

Values can change due to the switching frequency, desired reliability levels, environmental conditions, and in-rush current levels. It is recommended to test to actual load conditions for the application. It is the users responsibility to determine the performance suitability for their specific application. The use of any coil voltage less than the rated coil voltage may compromise the operation of the relay.

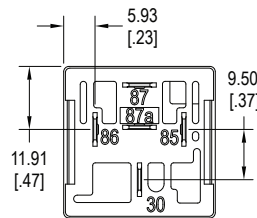
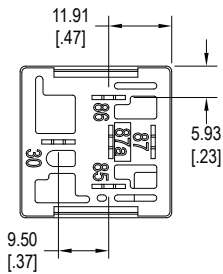
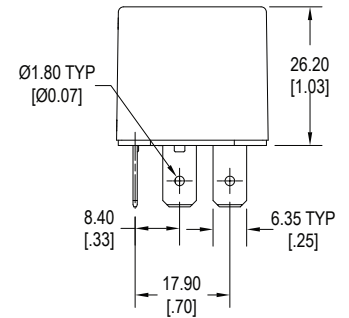
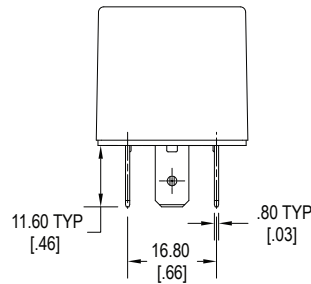
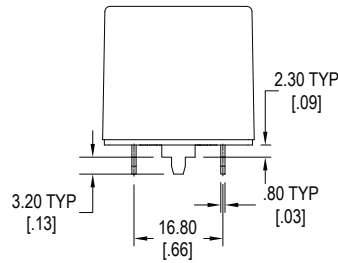
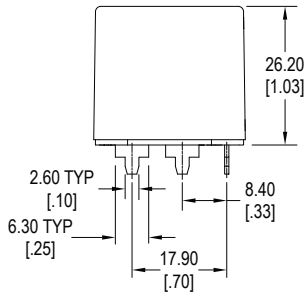
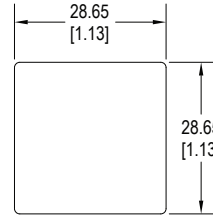
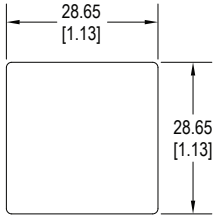
ORDERING INFORMATION

Example	PC792H	-1C	-C	-12	C	-R	-N	-X
Model:	PC792H							
Contact Form:	1A 1C							
Mounting Version:	C = Plug-In C1 = Plastic Bracket C2 = Metal Bracket P = PC Pins							
Coil Voltage:	6 = 6VDC 12 = 12VDC 24 = 24VDC							
Enclosure:	C = Dust Cover							
Parallel Component:	Nil = None D = Diode (1N4005) D1 = Reverse Diode R = Resistor							
Terminal Plating:	Nil = PC version N = Tin plated terminals, standard on all plug-in models							
RoHS Compliant:	-X							

COIL DATA

Coil Voltage		Resistance (Ohms ± 10%)	Pick Up Voltage Max. VDC	Release Voltage Min. VDC	Coil Power W	Operate Time ms	Release Time ms
Rated	Maximum						
6	7.8	20	3.9	0.6	1.8	7	5
12	15.6	80	7.8	1.2			
24	31.2	320	15.6	2.4			

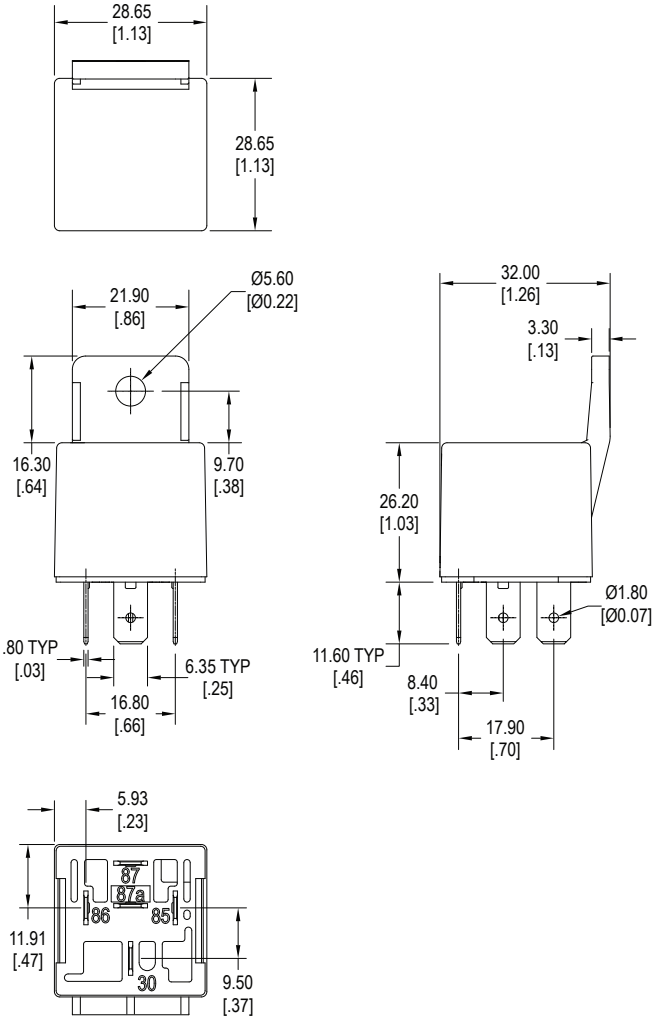
DIMENSIONS mm (inches)



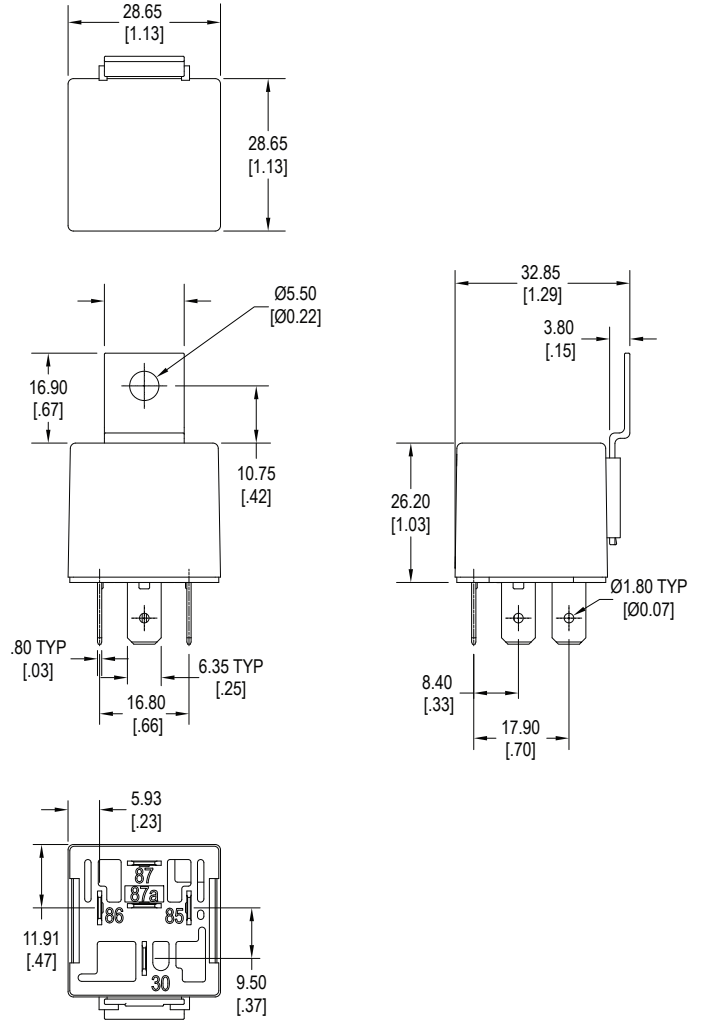
Standard with PC Pins (P)

Standard with Quick Connect (C)

DIMENSIONS mm (inches)

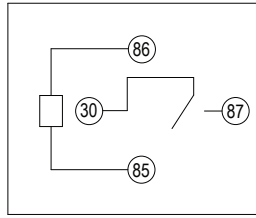


Quick Connect with Plastic Bracket (C1)

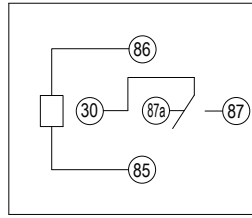


Quick Connect with Metal Bracket (C2)

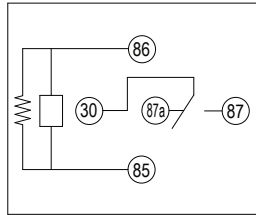
SCHEMATICS *Bottom Views*



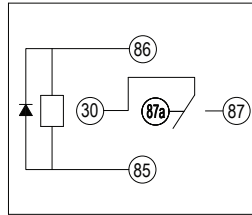
1A



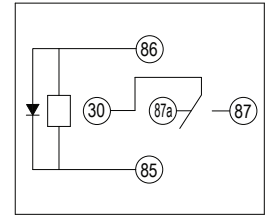
1C



1C with Resistor

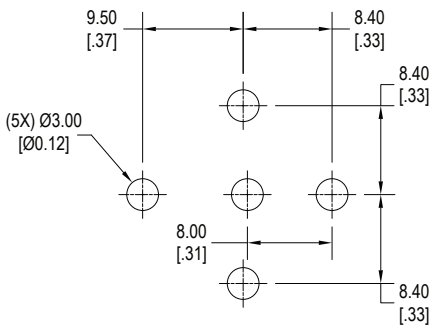


1C with Diode



1C with Reverse Diode

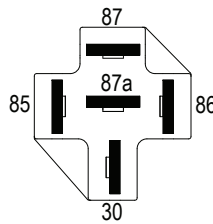
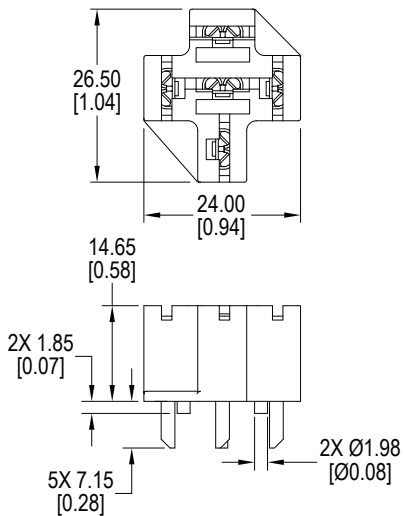
PC LAYOUT



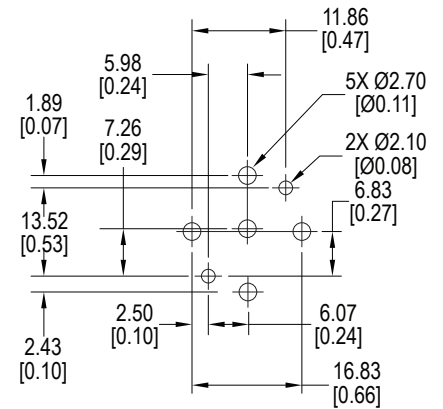
SOCKETS

Units = mm

RS2105



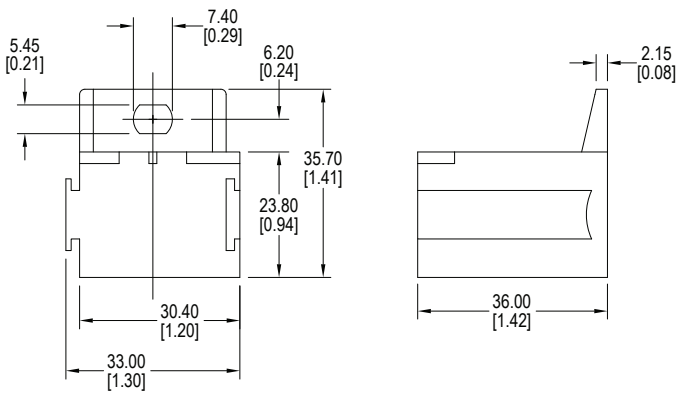
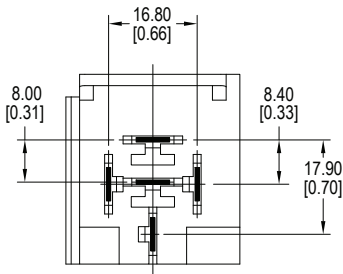
Schematic



SOCKETS

Units = mm

RS2200

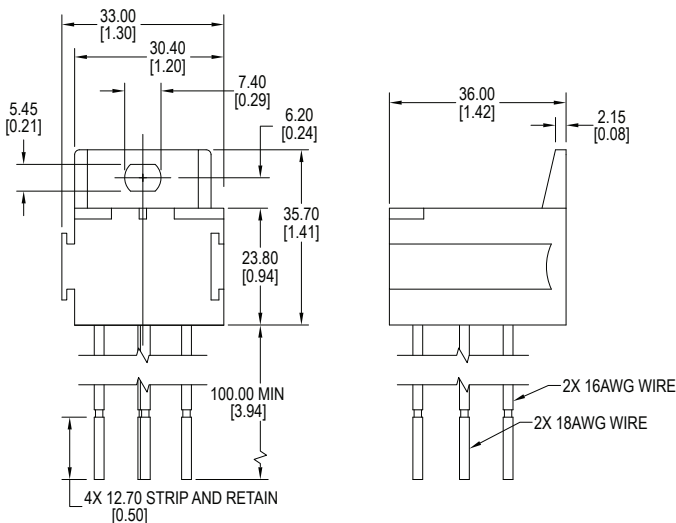
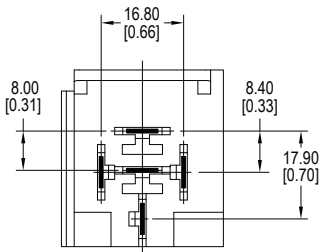


Metal Crimp Terminal Compatibility

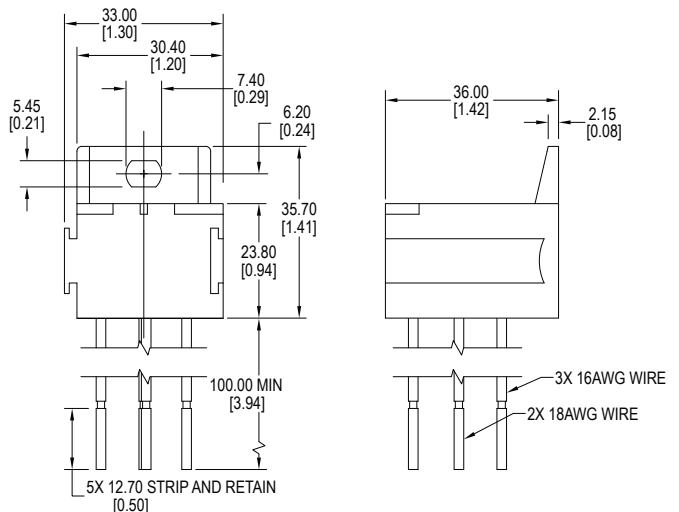
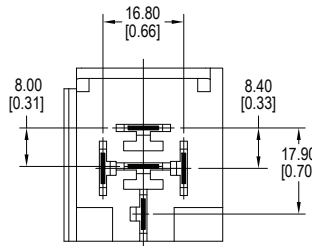
Mfr.	Part Number	Wire AWG	Blade
TE	42100	14-18	1/4"
TE	42281	14-18	1/4"
TE	42904	12-16	1/4"
TE	60249	12-16	1/4"
TE	60253	12-14	1/4"

CIT Relay & Switch references these female quick connect terminals to be used with our automotive sockets. Current capability of the terminals depends on the gauge of the wire used, the quality of the crimp, the addition of solder or a weld, operating conditions, ambient temperature, and so forth. Terminals to be purchased separately from the manufacturer.

RS2214

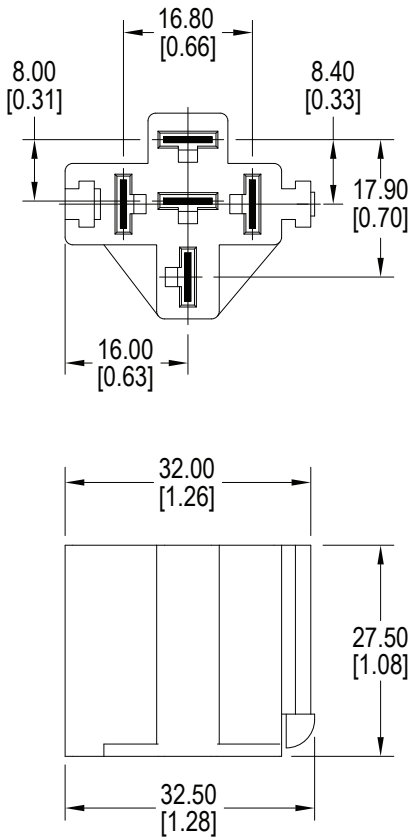


RS2215



SOCKETS

RS2300

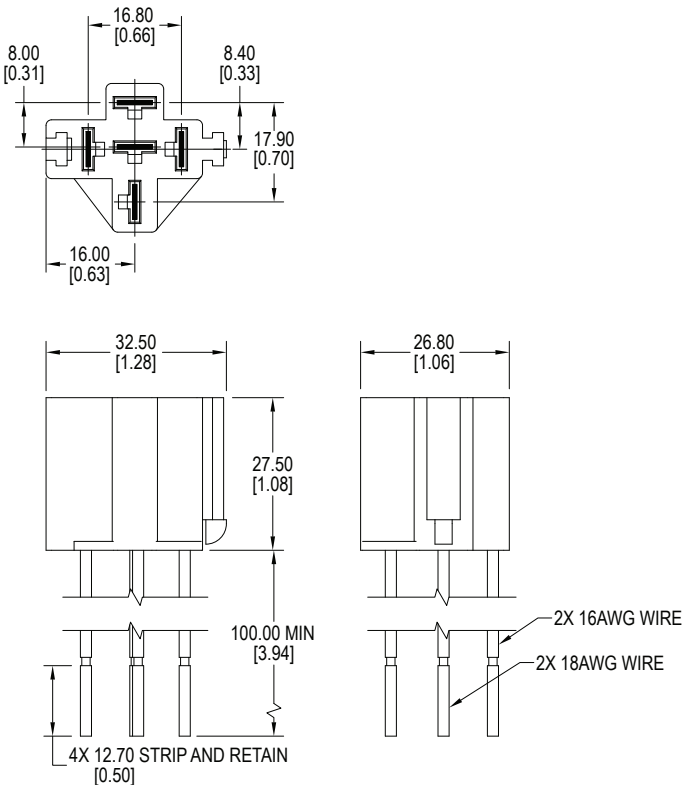


Metal Crimp Terminal Compatibility

Mfr.	Part Number	Wire AWG	Blade
TE	42100	14-18	1/4"
TE	42281	14-18	1/4"
TE	42904	12-16	1/4"
TE	60249	12-16	1/4"
TE	60253	12-14	1/4"

CIT Relay & Switch references these female quick connect terminals to be used with our automotive sockets. Current capability of the terminals depends on the gauge of the wire used, the quality of the crimp, the addition of solder or a weld, operating conditions, ambient temperature, and so forth. Terminals to be purchased separately from the manufacturer.

RS2314



RS2315

