


**FEATURES**

- 12 Amp Continuous Contact Capacity
- 1 Form A Contact Form
- Smallest 12 Amp Relay
- Class B Insulation Standard, Class F Available
- 2.5kV Dielectric Between Coil and Contacts


**UL / CUL Ratings**

Contact Form	1 Form A, SPST	
Rated Load	Voltage	Amp
Resistive, 100K cycles, 40°C	125VAC	12A
General Purpose, 100K cycles, 40°C	277VAC	10A
General Purpose, 100K cycles, 40°C	30VDC	10A

**CHARACTERISTICS**

Insulation Resistance	100MΩ min. at 500 VDC
Dielectric Strength	2,500 Vrms between coil & contacts
	1,000 Vrms, between contacts
Vibration Resistance	1.5mm double amplitude 10~40 Hz
Terminal Strength	5N
Solderability	260°C 5 seconds
Operating Temperature	-40°C to 70°C Class B; -40°C to 105°C Class F
Storage Temperature	-40°C to 125°C Class B; -40°C to 155°C Class F
Relative Humidity	85% at 30°C
Weight	7g

**CONTACT DATA**

Maximum Switching Power	300W, 2770VA	
Maximum Switching Voltage	30VDC, 277VAC	
Maximum Switching Current	12A	
Material	AgSnO2 Silver Tin Oxide	
Initial Contact Resistance	50 mΩ max.	
Service Life	Mechanical	1 x 10 <sup>7</sup> operations
	Electrical	1 x 10 <sup>5</sup> operations

**ORDERING INFORMATION**

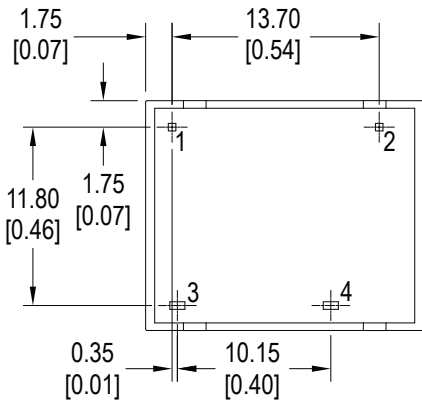
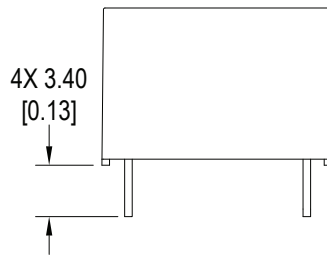
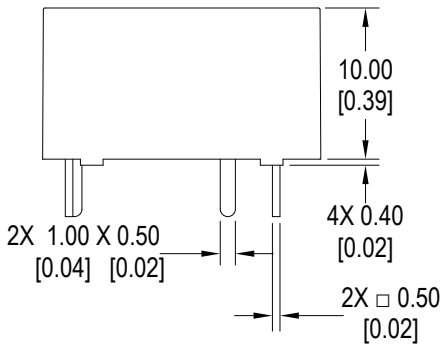
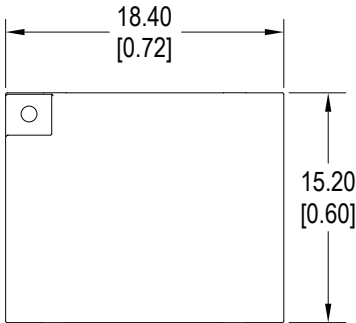
Example	PC834	-1A	-12	S	F	-X
Model:	PC834					
Contact Form:	1A					
Coil:	5 = 5VDC 12 = 12VDC 24 = 24VDC					
Enclosure	S = Epoxy Sealed, non-washable C = Flux free					
Insulation System	Nil = Class B (125°C) F = Class F (155°C)					
RoHS Compliant:	X = RoHS Compliant					

Values can change due to the switching frequency, desired reliability levels, environmental conditions, and in-rush current levels. It is recommended to test to actual load conditions for the application. It is the user's responsibility to determine the performance suitability for their specific application. The use of any coil voltage less than the rated coil voltage may compromise the operation of the relay.

COIL DATA

Coil Voltage		Coil Resistance (Ohms ± 10%)	Pick Up Voltage Max. VDC	Release Voltage Min. VDC	Coil Power W	Operate Time ms	Release Time ms
Rated	Maximum						
5	6.5	56	3.75	0.50	.45	8	5
12	15.6	80	7.8	2.4			
24	31.2	320	15.6	4.8			

DIMENSIONS mm (inches)



SCHEMATICS & PC LAYOUT Bottom Views

